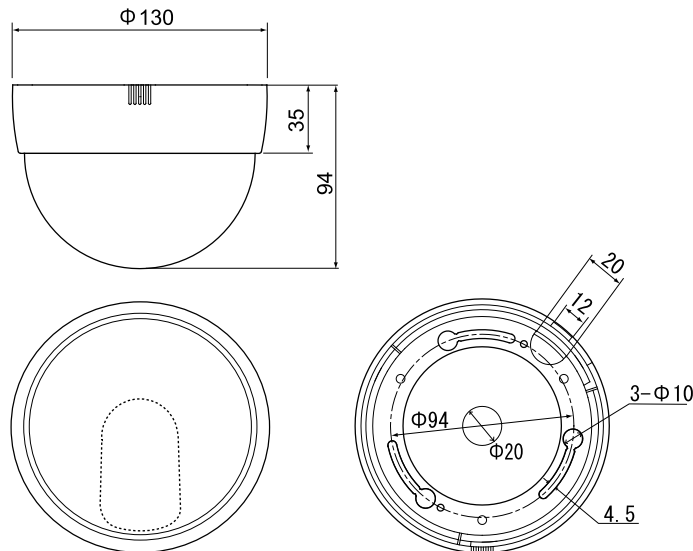




600TVL WDR/CCTV DOME CAMERA

SE-2330S SE-2330MS

◆ DIMENSION ◆



SPECIFICATIONS

| Signal Format | NTSC | PAL |
|-----------------------------------|--|----------------------------|
| Horizontal Resolution | Color : 600TV Lines, B/W : 700TV Lines | |
| Image Sensor | 1/3" SONY Double Scan CCD | |
| Total Pixels | 811(H) x 508(V) | 795(H) x 596(V) |
| Effective Pixels | 768(H) x 494(V) | 752(H) x 582(V) |
| Scanning System / Synchronization | 2:1 Interlace / Internal | |
| Scanning Frequency | 15.734 KHz(H), 59.94 Hz(V) | 15.625 KHz(H), 50.00 Hz(V) |
| Video Output | CVBS : 1.0Vp-p/75Ω | |
| Min. Illumination | Color : 0.12Lux/F1.2 (Sens-up : 0.0004Lux/F1.2) B/W : 0.012Lux/F1.2 (Sens-up : 0.00004Lux/F1.2) | |
| Electronic Shutter | 1/60 ~ 1/100,000 sec | 1/50 ~ 1/100,000 sec |
| IRIS Control | DC / VIDEO / MANUAL | |
| Signal to Noise Ratio | 52dB | |
| Backlight Compensation | OFF / BLC / WDR | |
| White Balance | ATW1 (2,500°K~9,500°K) / ATW2 (1,800~10,500°K) / AWC / MANUAL (3,200°K / 5,600°K) | |
| Gain Control | MIDDLE / HIGH / LOW | |
| Digital Noise Reduction | MIDDLE / HIGH / USER / OFF / LOW | |
| Lens / Horizontal angle of view | 2.8~10.0mm f=1.2~360 / 97°~28.8° | |
| Day & Night | AUTO / EXT / DAY / NIGHT | |
| Sens-up | x2 ~ x256 | |
| Wide Dynamic Range | x128 | x160 |
| Digital Image Stabilizer | OFF / ON | |
| Digital Zoom | OFF / ON (x1 ~ x10) | |
| Flickerless | OFF / ON | |
| Motion Detection | OFF / TRACKING / DETECTION (4 Zone, Alarm Output) | |
| Privacy | 8 Zone (Polygonal Method, 4 Points) | |
| Camera ID | OFF / ON (Max. 54ea / 2Line) | |
| Intelligent Video | FIXED / MOVED | |
| Reverse / PIP | OFF / H / V / HV / OFF / ON | |
| Microphone | SE-2330S:no Microphone , SE-2330MS:with the Microphone | |
| OSD | Built-in (En, Fr, Ge, It, Ja, Po, Sp) | |
| Input Voltage | DC 12V (±10%)/AC24V | |
| Power Consumption | SE-2330S:310mA , SE-2330MS:340mA/DC12V | |
| Operating Temp/Hum | Temperature : -10° C ~ +50° C / Humidity : Less than 90% | |
| Dimension | 130Φ x 94(H) mm | |
| Weight | Approx. 370g | |

FEATURES

- . 1/3" SONY Double Scan CCD
- . 600TV Lines Horizontal resolution (B/W : 700TV Lines)
- . Excellent low light sensitivity of 0.12Lux/F1.2
- . Sens-up : x256 (Color : 0.0004Lux/F1.2, BW : 0.00004Lux/F1.2)
- . WDR : Wide dynamic range(NTSC : x128 / PAL : x160)
- . DNR : Digital noise reduction
- . DIS : Digital image stabilizer
- . Motion detection : 4 zone
- . Privacy : 8 zone
- . x10 Digital zoom
- . Built-in OSD controller
- . Strong compatibility with various lens type

OPTION